

Centi-D Loc-.075" Contact Spacing

CDL

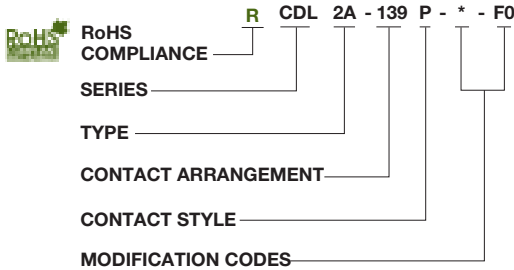


A subminiature all plastic high density "D" rectangular connector. The CDL is a general purpose connector with a peripheral o-ring and wire sealing gasket. Connector utilizes rear insertion, front release, crimp snap-in size 22, centi-loc contacts installable by the customer or, if preferred, by the factory.

MATERIAL

Insulator:	Black Nylon
Dielectric Gasket:	Polychloroprene
Contact:	Copper Alloy, Gold Plated
Seal Ring:	Silicone

How to Order



SERIES

Centi-D Loc Series

TYPE

- 2 - No lock (mtg. holes)
- 2A - No lock type with rear gasket

CONTACT ARRANGEMENT

139
 (Consult customer service for other sizes)

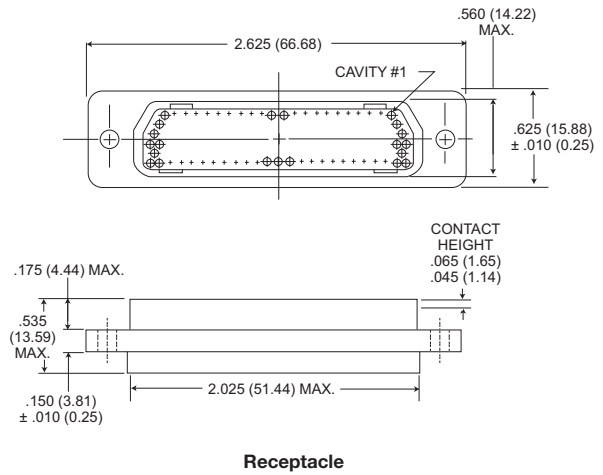
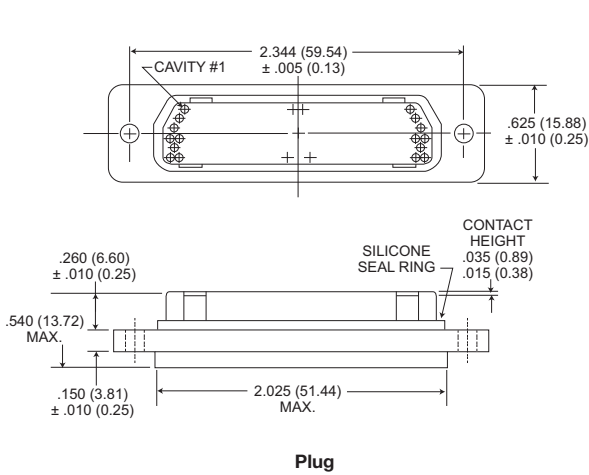
CONTACT STYLE

- P - Centi-loc pin
- S - Centi-loc socket

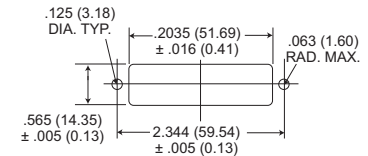
MODIFICATION CODES

F0 - Less contacts

Plug

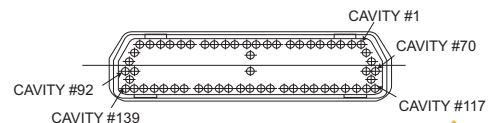
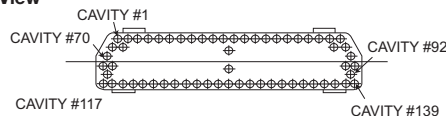


Recommended Panel Cutouts



Contact Arrangements

Engaging Face View



Dimensions shown in inch (mm)
 Specifications and dimensions subject to change

Receptacle



www.ittcannon.com